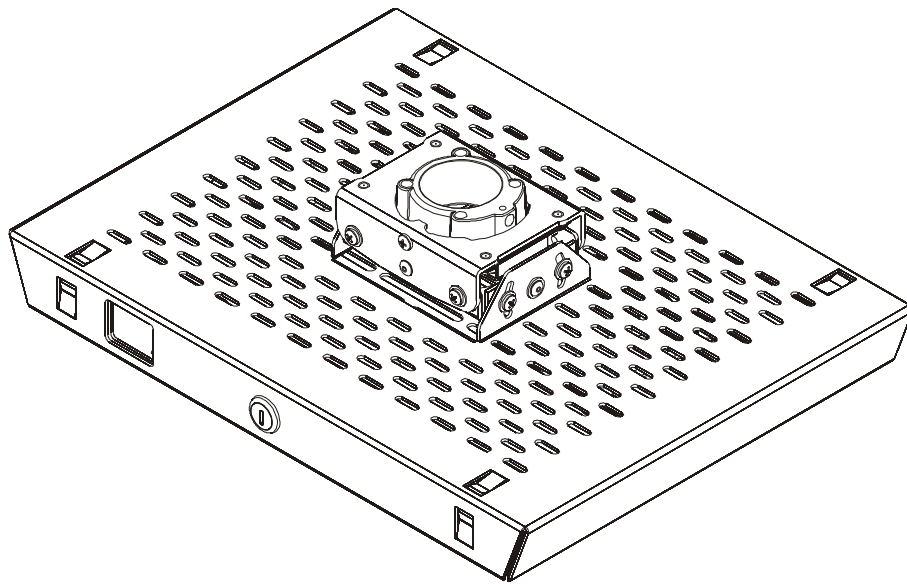


---

# INSTALLATION INSTRUCTIONS

---



---

## Locking Projector Mount


---


## DISCLAIMER


Milestone AV Technologies and its affiliated corporations and subsidiaries (collectively "Milestone"), intend to make this manual accurate and complete. However, Milestone makes no claim that the information contained herein covers all details, conditions or variations, nor does it provide for every possible contingency in connection with the installation or use of this product. The information contained in this document is subject to change without notice or obligation of any kind. Milestone makes no representation of warranty, expressed or implied, regarding the information contained herein. Milestone assumes no responsibility for accuracy, completeness or sufficiency of the information contained in this document.


Chief® is a registered trademark of Milestone AV Technologies. All rights reserved.


## IMPORTANT SAFETY INSTRUCTIONS


 **WARNING:** A WARNING alerts you to the possibility of serious injury or death if you do not follow the instructions.


 **CAUTION:** A CAUTION alerts you to the possibility of damage or destruction of equipment if you do not follow the corresponding instructions.


 **WARNING:** Failure to read, thoroughly understand, and follow all instructions can result in serious personal injury, damage to equipment, or voiding of factory warranty! It is the installer's responsibility to make sure all components are properly assembled and installed using the instructions provided.


 **WARNING:** Failure to provide adequate structural strength for this component can result in serious personal injury or damage to equipment! It is the installer's responsibility to make sure the structure to which this component is attached can support five times the combined weight of all equipment. Reinforce the structure as required before installing the component.

 **WARNING:** Exceeding the weight capacity can result in serious personal injury or damage to equipment! It is the installer's responsibility to make sure the combined weight of all components attached to the RPAX1 does not exceed 50 lbs (22.68 kg).

 **WARNING:** Use this mounting system only for its intended use as described in these instructions. Do not use attachments not recommended by the manufacturer.

 **WARNING:** Never operate this mounting system if it is damaged. Return the mounting system to a service center for examination and repair.

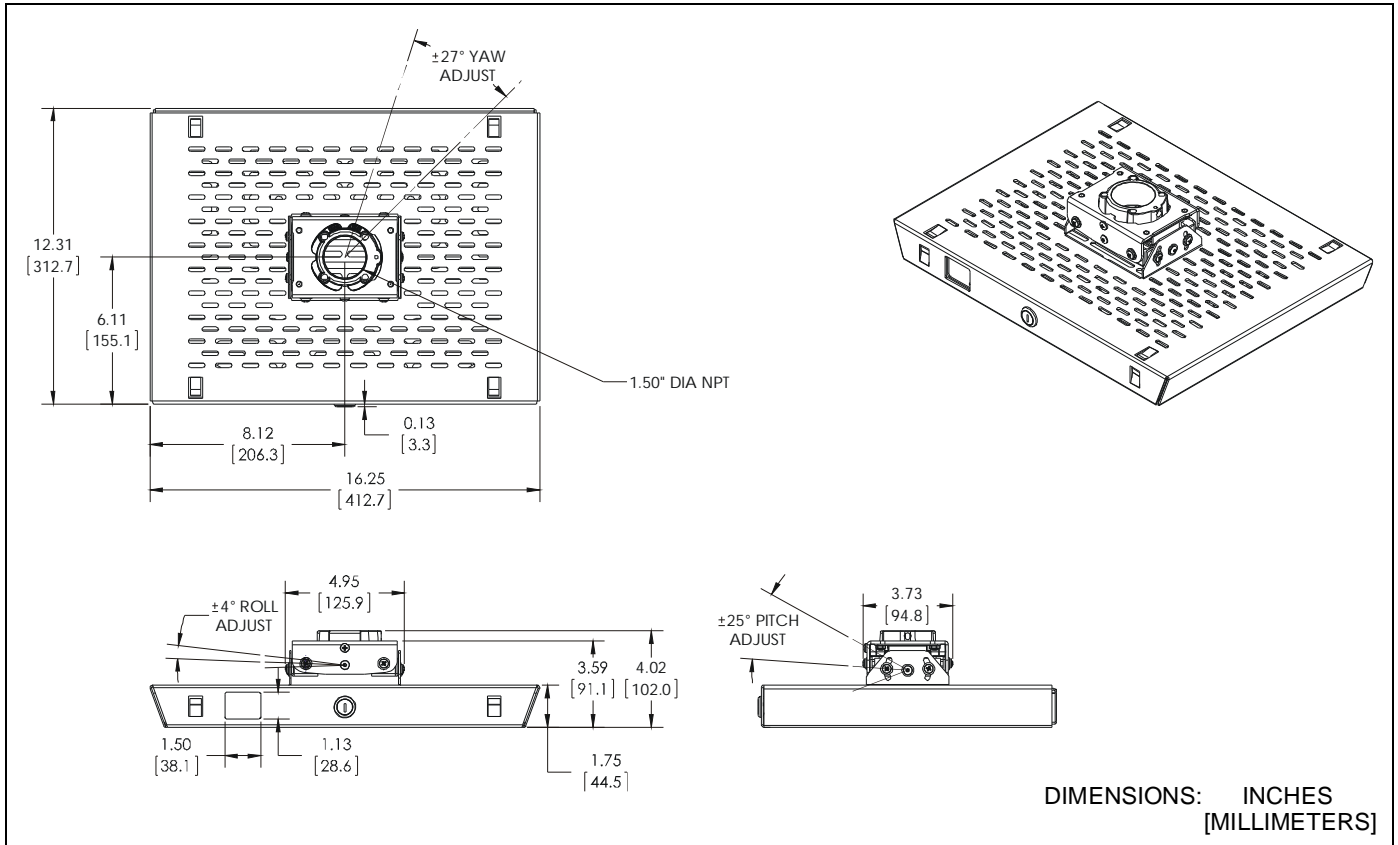
 **WARNING:** Do not use this product outdoors.

 **WARNING:** The RPAX1 mounts are designed to be mounted to a 1-1/2" NPT or NPSM following ANSI/ASME B1.20.1 (Schedule 40, 0.154" minimum thickness steel or aluminum-ASTM B221) threaded extension column.

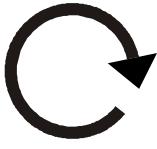

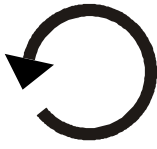









**NOTE:** RPAA1, RPAB1 and RPAC1 models are included in these installation instructions. Throughout these instructions "RPAX1" is used to designate all of the models covered by these instructions.

**--SAVE THESE INSTRUCTIONS--**

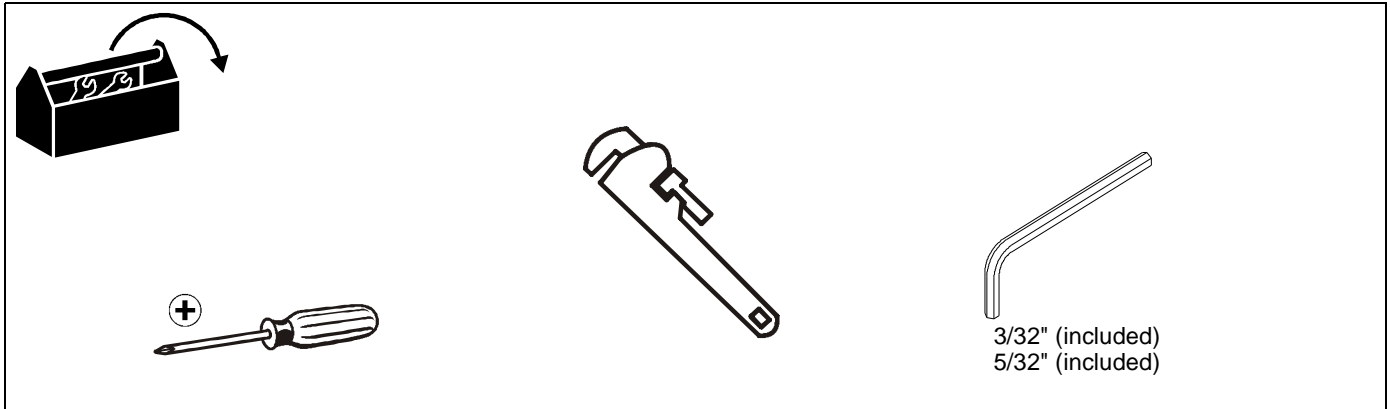
**DIMENSIONS**



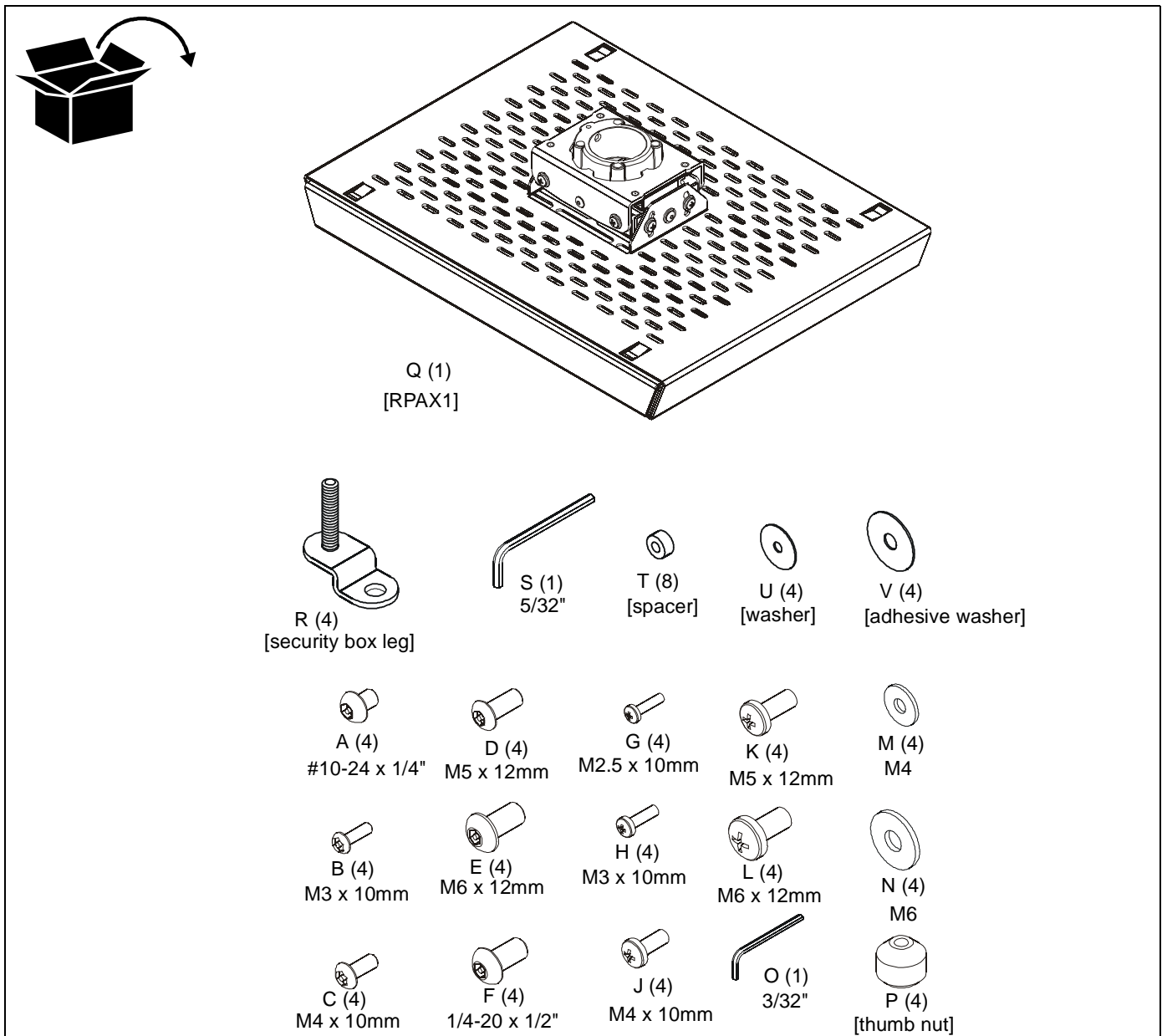
**LEGEND**

	<p><b>Tighten Fastener</b></p> <p>Apretar elemento de fijación</p> <p>Befestigungsteil festziehen</p> <p>Apertar fixador</p> <p>Serrare il fissaggio</p> <p>Bevestiging vastdraaien</p> <p>Serrez les fixations</p>		<p><b>Pencil Mark</b></p> <p>Marcar con lápiz</p> <p>Stiftmarkierung</p> <p>Marcar com lápis</p> <p>Segno a matita</p> <p>Potloodmerkten</p> <p>Marquage au crayon</p>
	<p><b>Loosen Fastener</b></p> <p>Aflojar elemento de fijación</p> <p>Befestigungsteil lösen</p> <p>Desapertar fixador</p> <p>Allentare il fissaggio</p> <p>Bevestiging losdraaien</p> <p>Desserrez les fixations</p>		<p><b>Drill Hole</b></p> <p>Perforar</p> <p>Bohrloch</p> <p>Fazer furo</p> <p>Praticare un foro</p> <p>Gat boren</p> <p>Percez un trou</p>
	<p><b>Phillips Screwdriver</b></p> <p>Destornillador Phillips</p> <p>Kreuzschlitzschraubendreher</p> <p>Chave de fendas Phillips</p> <p>Cacciavite a stella</p> <p>Kruiskopschroevendraaier</p> <p>Tournevis à pointe cruciforme</p>		<p><b>Adjust</b></p> <p>Ajustar</p> <p>Einstellen</p> <p>Ajustar</p> <p>Regolare</p> <p>Afstellen</p> <p>Ajuster</p>
	<p><b>Open-Ended Wrench</b></p> <p>Llave de boca</p> <p>Gabelschlüssel</p> <p>Chave de bocas</p> <p>Chiave a punte aperte</p> <p>Steeksleutel</p> <p>Clé à fourche</p>		<p><b>Remove</b></p> <p>Quitar</p> <p>Entfernen</p> <p>Remover</p> <p>Rimuovere</p> <p>Verwijderen</p> <p>Retirez</p>
	<p><b>By Hand</b></p> <p>A mano</p> <p>Von Hand</p> <p>Com a mão</p> <p>A mano</p> <p>Met de hand</p> <p>À la main</p>		<p><b>Optional</b></p> <p>Opcional</p> <p>Optional</p> <p>Opcional</p> <p>Opzionale</p> <p>Optie</p> <p>En option</p>
	<p><b>Hex-Head Wrench</b></p> <p>Llave de cabeza hexagonal</p> <p>Sechskantschlüssel</p> <p>Chave de cabeça sextavada</p> <p>Chiave esagonale</p> <p>Zeskantsleutel</p> <p>Clé à tête hexagonale</p>		<p><b>Security Wrench</b></p> <p>Llave de seguridad</p> <p>Sicherheitsschlüssel</p> <p>Chave de segurança</p> <p>Chiave di sicurezza</p> <p>Veiligheidsleutel</p> <p>Clé de sécurité</p>

**TOOLS REQUIRED FOR INSTALLATION**



**PARTS**



## PREPARATION

### Locate Mounting Site



**WARNING:** IMPROPER INSTALLATION MAY LEAD TO PROJECTOR MOUNT FALLING CAUSING SEVERE PERSONAL INJURY OR DAMAGE TO EQUIPMENT! It is the installers responsibility to make certain the structure to which the projector mount is being mounted is capable of supporting five times the weight of the projector mount and all attached equipment. Reinforce the structure as required before installing the projector mount.

1. Determine required position of the RPAX1 projector mount.
2. Determine required distance of the projector mount from the screen using the projector specifications.

## INSTALLATION

### Installing RPAX1 Outer Sleeve to Threaded Pipe



**WARNING:** IMPROPER INSTALLATION CAN RESULT IN SERIOUS PERSONAL INJURY OR DAMAGE TO EQUIPMENT! Structural members **MUST** be capable of supporting five times the combined weight of all equipment being mounted.

**IMPORTANT ! :** These installation instructions assume that a 1-1/2" NPT or NPSM (Schedule 40, 0.154" minimum thickness steel or aluminum - ASTM B221) threaded extension column (not included) has been properly installed (with a minimum of four threads engaged) and is in place.

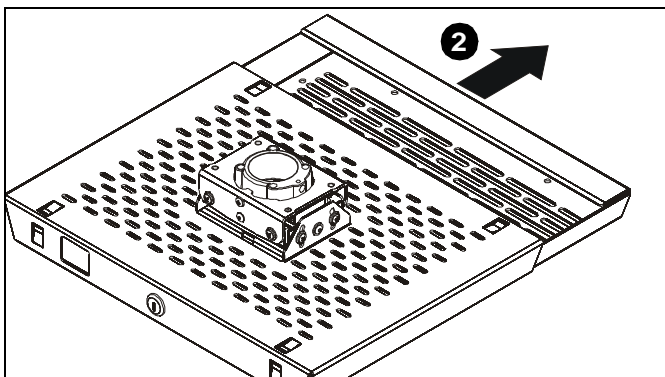


Figure 1

1. Install ceiling plate and extension accessories following installation instruction provided by manufacturer.
2. Remove drawer from RPAX1 outer sleeve. (See Figure 1)
3. Loosen security screw on bottom of RPAX1 sleeve until set screw is fully exposed. (See Figure 2)

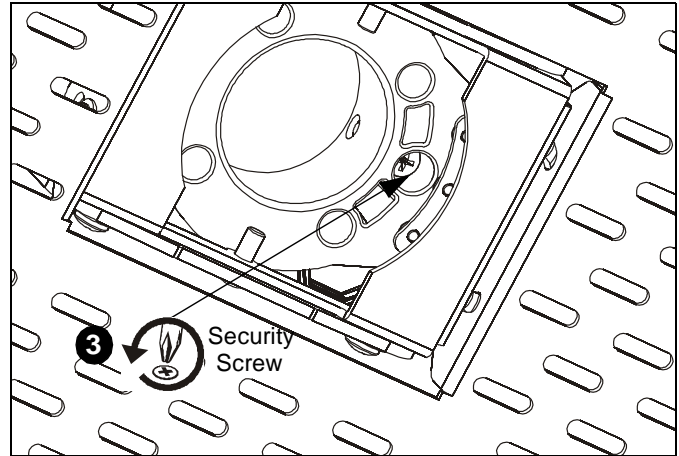


Figure 2

4. Align RPAX1 outer sleeve with end of NTP pipe. (See Figure 3)
5. Thread RPAX1 sleeve up onto pipe by turning clockwise until hand tight. (See Figure 3)

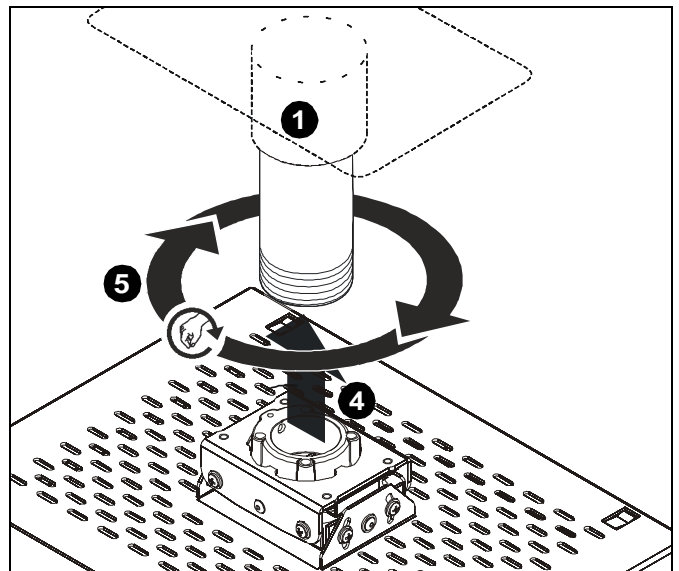


Figure 3

- Turn RPAX1 sleeve clockwise or counterclockwise until the front of the RPAX1 is facing target. (See Figure 4)

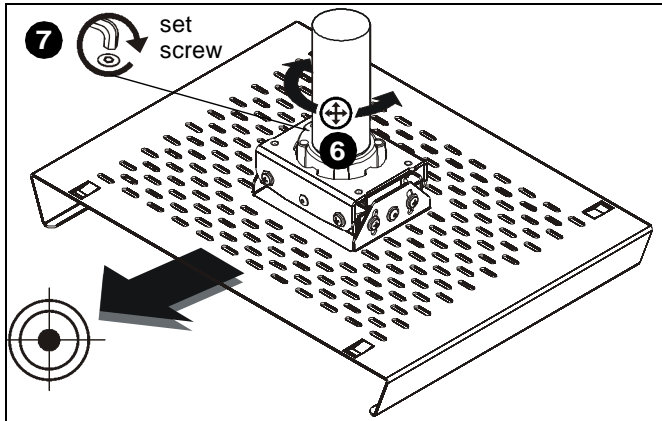


Figure 4

- Tighten set screw. (See Figure 4)
- Tighten security screw until set screw cannot be seen from set screw access hole. (See Figure 5)

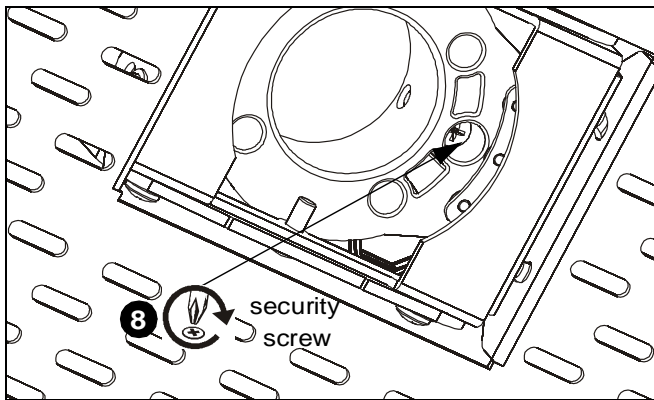


Figure 5

### Attaching Projector Security Legs



**CAUTION:** Using screws of improper length may damage your projector! Proper screws will have adequate thread engagement without contacting the bottom of projector mounting holes.

- Attach the projector security legs (R) to the projector, using the correct size screws (A-L) and washers (M or N) for your specific projector. (See Figure 6)

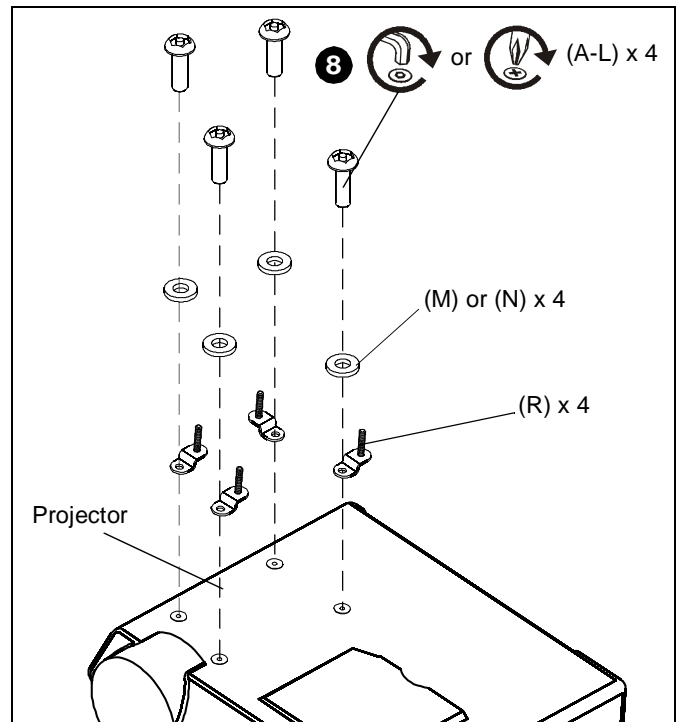


Figure 6

- Add washers (U) to the projector security legs (R). Add spacers (T) as necessary to the projector security legs (R). (See Figure 7)

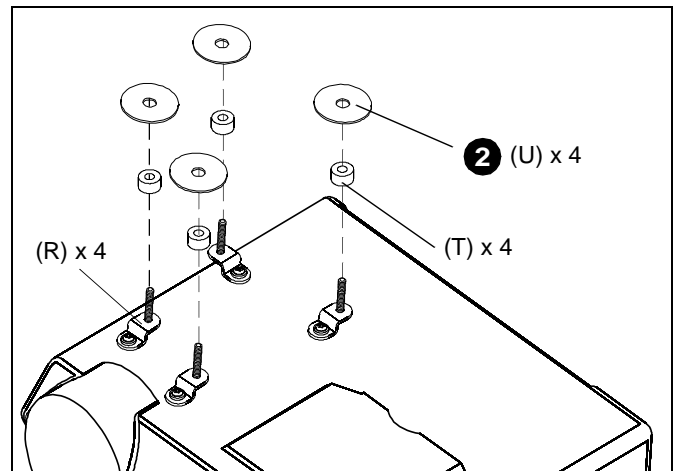


Figure 7

### Attaching Projector to Security Mount Drawer

1. Align projector and security mount drawer so that the projector is oriented correctly.
2. Remove the paper backing from the adhesive washers (V) and attach projector to drawer using adhesive washers (V) and thumb nuts (P) over the security legs (R). (See Figure 8)

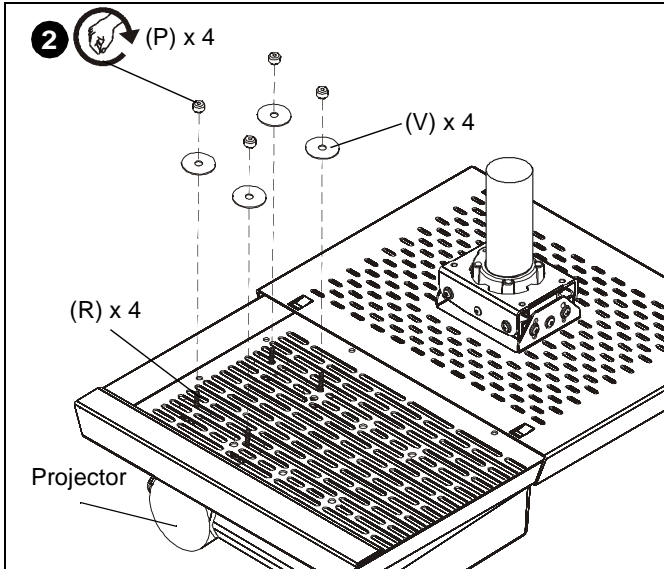


Figure 8

3. Slide the security mount drawer into the RPAX1 outer sleeve. (See Figure 9)

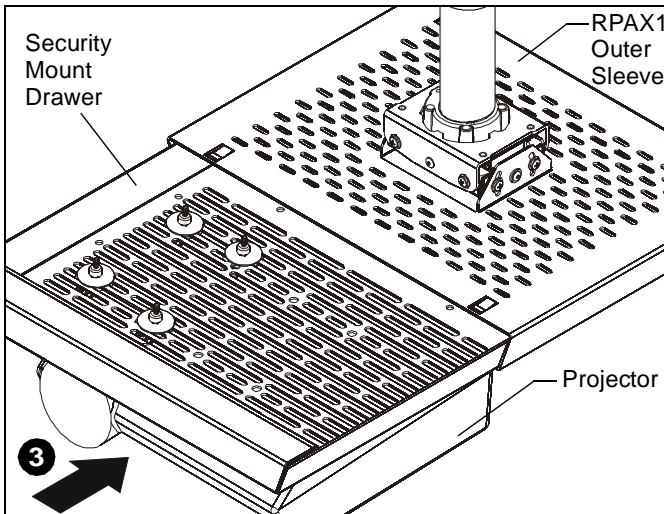


Figure 9

**WARNING:** Failure to lock RPAX1 can result in serious personal injury or damage to equipment! Lock RPAX1 BEFORE aligning or adjusting the projector. RPAX1 MUST be locked when it is loaded.

4. Lock the RPAX1. (See Figure 10)

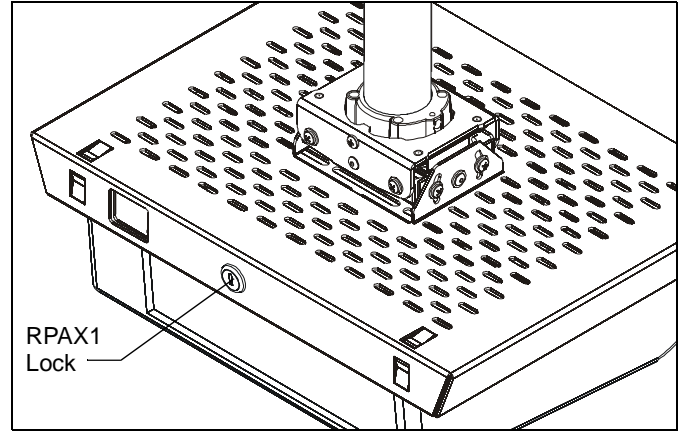


Figure 10

### Aligning Projector

The RPAX1 may be adjusted for vertical elevation (pitch), horizontal tilt (roll), and rotation (yaw).

#### Pitch

Adjust pitch using the adjustment screws on the end of the adjustment plate. (See Figure 11)

1. Loosen the pitch adjustment screws.
2. Adjust projector angle to desired pitch.
3. Tighten pitch adjustment screws.

#### Roll

Adjust roll using the two adjustment screws on the back of the adjustment plate. (See Figure 11)

4. Loosen the two roll adjustment screws.
5. Adjust projector to desired roll.
6. Tighten roll adjustment screws.

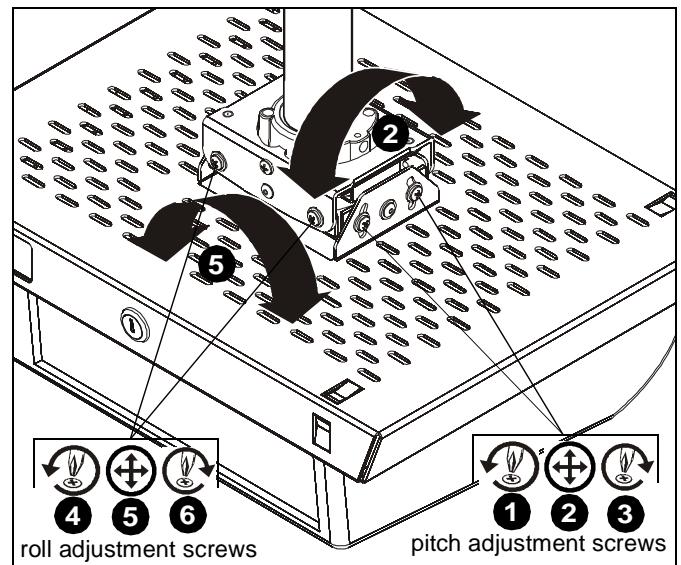
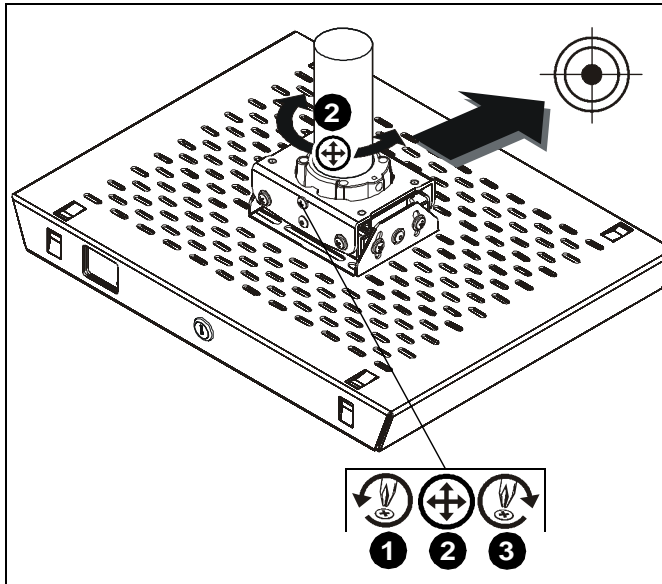


Figure 11



**Yaw**

1. Loosen yaw adjustment screw. (See Figure 12)
2. Adjust mount to desired yaw. (See Figure 12)
3. Tighten yaw adjustment screw. (See Figure 12)

**Figure 12**







Our Mounts. **Your Vision.**

Chief, a products division of  
Milestone AV Technologies

8800-002525 Rev00  
©2014 Milestone AV Technologies  
[www.chiefmfg.com](http://www.chiefmfg.com)  
03/14

<b>USA/International</b>	<b>A</b> 6436 City West Parkway, Eden Prairie, MN 55344
	<b>P</b> 800.582.6480 / 952.225.6000
	<b>F</b> 877.894.6918 / 952.894.6918
<b>Europe</b>	<b>A</b> Franklinstraat 14, 6003 DK Weert, Netherlands
	<b>P</b> +31 (0) 495 580 852
	<b>F</b> +31 (0) 495 580 845
<b>Asia Pacific</b>	<b>A</b> Office No. 1 on 12/F, Shatin Galleria 18-24 Shan Mei Street Fotan, Shatin, Hong Kong
	<b>P</b> 852 2145 4099
	<b>F</b> 852 2145 4477

